

| | |
|-----------|-------|
| PROJECT | _____ |
| TYPE | _____ |
| SPECIFIER | _____ |
| QUANTITY | _____ |
| DATE | _____ |

CENTRIQ IN SURFACE

A3D333-

| | | | | | |
|-------------|-------------|-------------------|--------------------|---------------------|--------------------|
| base number | LED Dimming | Color Temperature | Finishes (Diamond) | Finishes (Triangle) | Beam Angle Options |
|-------------|-------------|-------------------|--------------------|---------------------|--------------------|

- To build a product code in our configurator select the specify button on the base model # product page
- To build a manual product code on this datasheet choose from the options listed below in blue font and add the suffix to the base model #

GENERAL

| |
|--|
| Series: Centriq |
| Subseries: Centriq In |
| Partner: Prolicht |
| Division: Architectural |
| Installation: Surface |
| Product Type: Spots |
| Mounting Location: Ceiling |
| Light Distribution: Adjustable / Downlight |

PHYSICAL

| |
|---|
| Shape: Cylinder |
| Diameter (mm): 83 |
| Diameter (in): 2 ⁹ / ₁₆ |
| Height (mm): 185 |
| Height (in): 7 ⁵ / ₁₆ |
| Fixture Finish: SSR / BKV / CWI / CRY / HAB / UFT / ITA / RUA / FTG / MYG / LOD / PUS / FRO / FUP / KIA / POP / BLS / SPG / MEY / GOH / CHC / COM / ABZ / JAG / OBR / MOS / ROR |
| Fixture Material: Aluminum |

ELECTRICAL

| |
|---|
| Lamp Type: LED |
| Input Wattage (W): 36.2 |
| Dimming: Non-Dimming / DALI Dimming |
| Driver Type: Constant Current - Universal |
| Driver Class: Class 2 |
| Input Voltage (V): 120 |
| Constant Current (mA): 900mA |
| Upon Request: 0-10V dimming / Phase Dimming |

LED

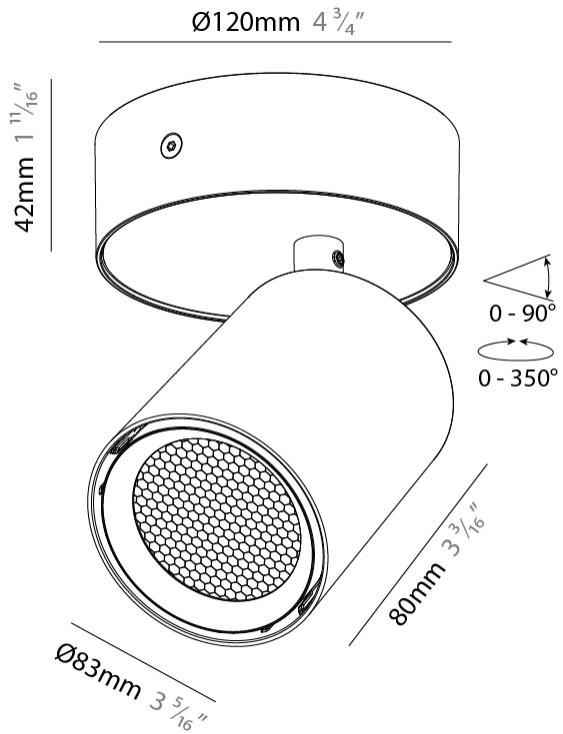
| |
|---|
| Color Temperature (°K): 2700 / 3000 / 3500 / 4000 |
| Max. Delivered Lumen (lm): Max 3450 |
| Nominal Lumen (lm): Max 3952 |
| CRI: >90 CRI |
| Lamp Life (hrs): 50000 |

OPTICAL

| |
|--|
| Beam Angle: 24, 36, 52 |
| Adjustability: Rotational 350°; Tilt 90° |

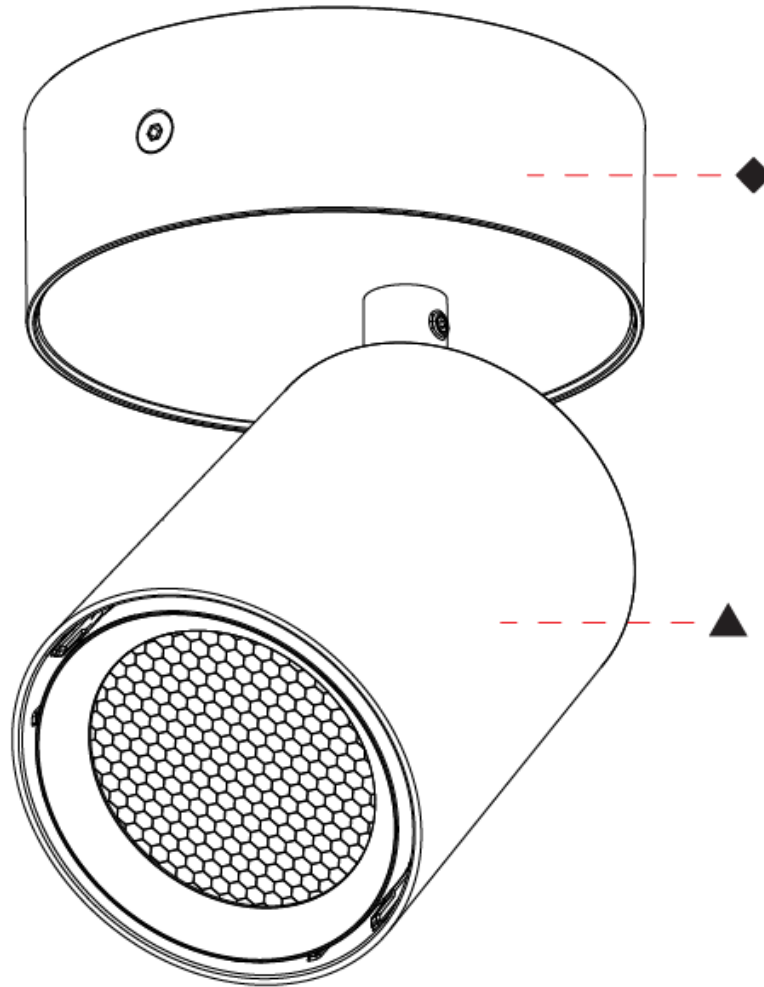
RATINGS AND CERTIFICATIONS

| |
|--|
| Certified By: Certified for North American Standards |
| IP rating: IP20 |
| Glare Rating: ≤ 16 |



A3D333-

| | |
|-----------|-------|
| PROJECT | _____ |
| TYPE | _____ |
| SPECIFIER | _____ |
| QUANTITY | _____ |
| DATE | _____ |



A

| | |
|-----------|-------|
| PROJECT | _____ |
| TYPE | _____ |
| SPECIFIER | _____ |
| QUANTITY | _____ |
| DATE | _____ |

CENTRIQ IN SURFACE

A3D444-

| | | | | |
|-------------|----------------------|-----------------------|------------------------|-----------------------|
| base number | Color Temperature | Finishes (Diamond) | Finishes (Triangle) | Beam Angle Options |
|-------------|----------------------|-----------------------|------------------------|-----------------------|

- To build a product code in our configurator select the specify button on the base model # product page
- To build a manual product code on this datasheet choose from the options listed below in blue font and add the suffix to the base model #

GENERAL

| |
|--|
| Series: Centriq |
| Subseries: Centriq In |
| Partner: Prolicht |
| Division: Architectural |
| Installation: Surface |
| Product Type: Spots |
| Mounting Location: Ceiling |
| Light Distribution: Adjustable / Downlight |

PHYSICAL

| |
|---|
| Shape: Cylinder |
| Diameter (mm): 83 |
| Diameter (in): 3 1/4 |
| Height (mm): 160 |
| Height (in): 6 5/16 |
| Min. Recessing Depth (mm): 50 |
| Min. Recessing Depth (in): 1 15/16 |
| Fixture Finish: SSR / BKV / CWI / CRY / HAB / UFT / ITA / RUA / FTG / MYG / LOD / PUS / FRO / FUP / KIA / POP / BLS / SPG / MEY / GOH / CHC / COM / ABZ / JAG / OBR / MOS / ROR |
| Fixture Material: Aluminum Die Cast |
| Cut-out Measurements: Dia. 68mm / 2 11/16" |

ELECTRICAL

| |
|---|
| Input Wattage (W): 27.3 |
| Dimming: Dali Dimming |
| Driver Included: Yes |
| Driver Location: Remote |
| Driver Type: Constant Current - Universal |
| Driver Class: Class 2 |
| Input Voltage (V): 120 |
| Constant Current (MA): 700mA |
| Upon Request: 0-10V dimming / Phase Dimming |

LED

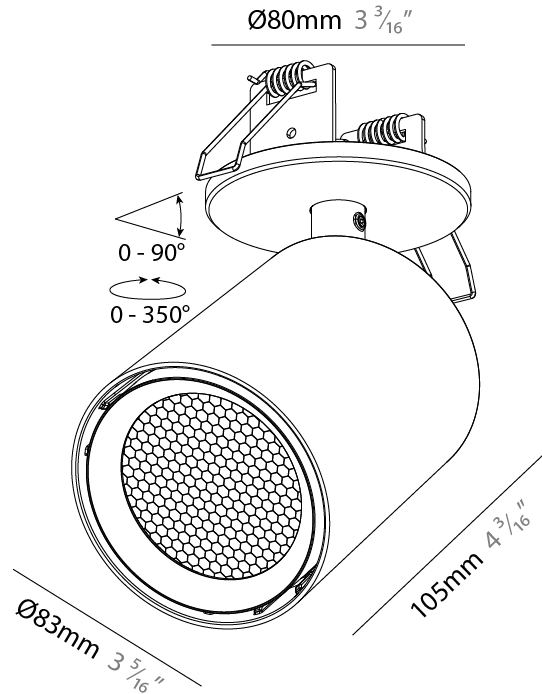
| |
|---|
| Color Temperature (°K): 2700 / 3000 / 3500 / 4000 |
| Max. Delivered Lumen (lm): Max 2768 |
| Nominal Lumen (lm): Max 3170 |
| CRI: >90 CRI |
| Efficiency (%): 101.3 |
| Lamp Life (hrs): 50000 |

OPTICAL

| |
|--|
| Beam Angle: 24, 36, 52 |
| Adjustability: Rotational 350°; Tilt 90° |

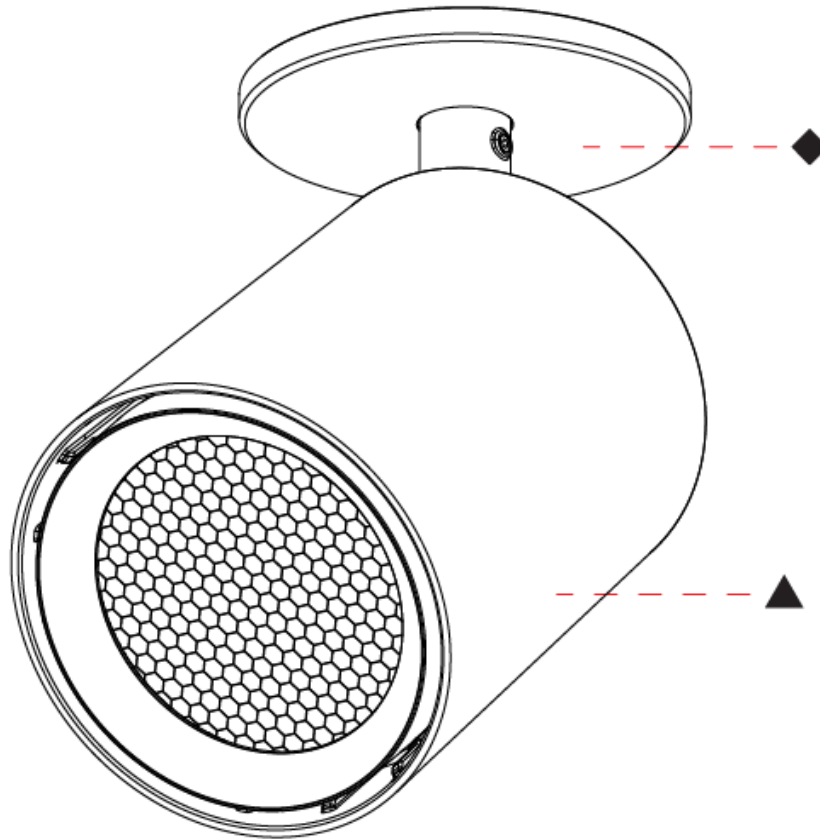
RATINGS AND CERTIFICATIONS

| |
|--|
| Certified By: Certified for North American Standards |
| IP rating: IP20 |
| Glare Rating: ≤ 16 |



A3D444-

| | |
|-----------|-------|
| PROJECT | _____ |
| TYPE | _____ |
| SPECIFIER | _____ |
| QUANTITY | _____ |
| DATE | _____ |



A

CENTRIQ IN SURFACE

A3D445-

base number Finishes (Diamond) Finishes (Triangle)

- To build a product code in our configurator select the specify button on the base model # product page
- To build a manual product code on this datasheet choose from the options listed below in blue font and add the suffix to the base model #

GENERAL

Series: Centriq
 Subseries: Centriq In
 Partner: Prolicht
 Division: Architectural
 Installation: Surface
 Product Type: Spots
 Mounting Location: Ceiling
 Light Distribution: Adjustable / Downlight

PHYSICAL

Shape: Cylinder
 Diameter (mm): 83
 Diameter (in): 3 1/4
 Height (mm): 160
 Height (in): 6 5/16
 Min. Recessing Depth (mm): 50
 Min. Recessing Depth (in): 1 15/16
 Fixture Finish: SSR / BKV / CWI / CRY / HAB / UFT / ITA / RUA / FTG / MYG / LOD / PUS / FRO / FUP / KIA / POP / BLS / SPG / MEY / GOH / CHC / COM / ABZ / JAG / OBR / MOS / ROR
 Fixture Material: Aluminum Die Cast
 Cut-out Measurements: Dia. 86mm / 3 3/8"

ELECTRICAL

Lamp Type: LED
 Input Wattage (W): 27
 Dimming: Dali Dimming
 Driver Included: Yes
 Driver Location: Remote
 Driver Type: Constant Current - Universal
 Driver Class: Class 2
 Input Voltage (V): 120
 Constant Current (MA): 700mA
 Upon Request: 0-10V dimming / Phase Dimming

LED

Color Temperature (°K): 2700-6500 Tunable White
 Max. Delivered Lumen (lm): Max 569
 Nominal Lumen (lm): Max 664
 CRI: >90 CRI
 Efficiency (%): 69.6
 Lamp Life (hrs): 50000

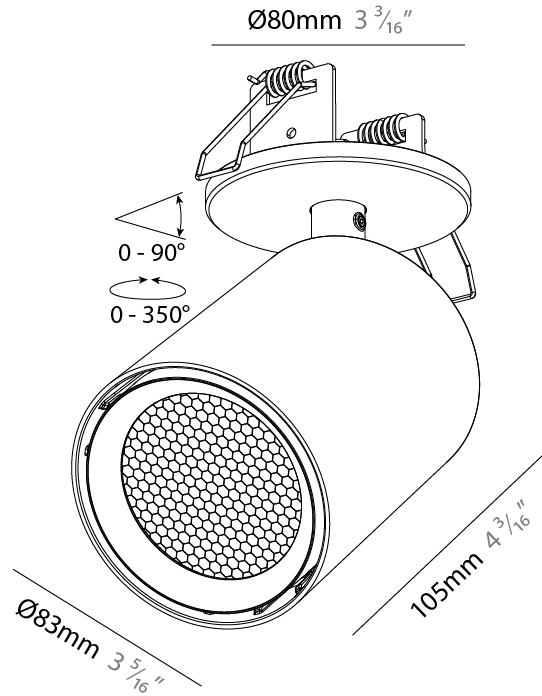
OPTICAL

Beam Angle: 12
 Adjustability: Rotational 350°; Tilt 90°

RATINGS AND CERTIFICATIONS

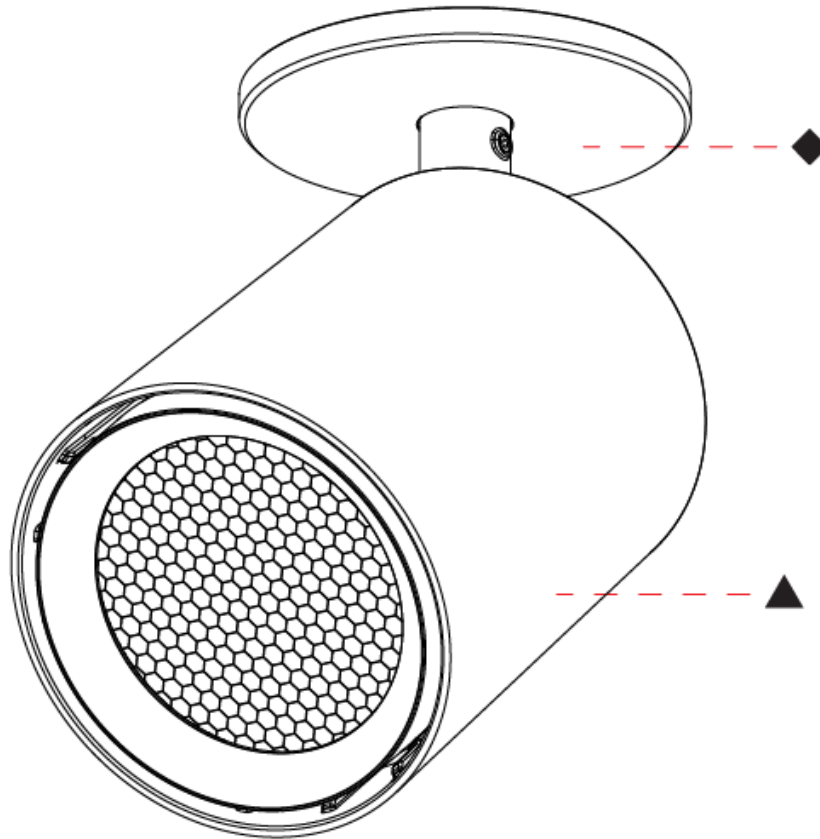
Certified By: Certified for North American Standards
 IP rating: IP20
 Glare Rating: ≤ 16

| |
|-----------|
| PROJECT |
| TYPE |
| SPECIFIER |
| QUANTITY |
| DATE |



A3D445-

| | |
|-----------|-------|
| PROJECT | _____ |
| TYPE | _____ |
| SPECIFIER | _____ |
| QUANTITY | _____ |
| DATE | _____ |



A

| | |
|-----------|--|
| PROJECT | |
| TYPE | |
| SPECIFIER | |
| QUANTITY | |
| DATE | |

CENTRIQ IN SURFACE

A3D446-

| | | | |
|-------------|-----------------------|------------------------|-----------------------|
| base number | Finishes (Diamond) | Finishes (Triangle) | Beam Angle Options |
|-------------|-----------------------|------------------------|-----------------------|

- To build a product code in our configurator select the specify button on the base model # product page
- To build a manual product code on this datasheet choose from the options listed below in blue font and add the suffix to the base model #

GENERAL

| |
|--|
| Series: Centriq |
| Subseries: Centriq In |
| Partner: Prolicht |
| Division: Architectural |
| Installation: Surface |
| Product Type: Spots |
| Mounting Location: Ceiling |
| Light Distribution: Adjustable / Downlight |

PHYSICAL

| |
|---|
| Shape: Cylinder |
| Diameter (mm): 83 |
| Diameter (in): 3 1/4 |
| Height (mm): 160 |
| Height (in): 6 5/16 |
| Min. Recessing Depth (mm): 50 |
| Min. Recessing Depth (in): 1 15/16 |
| Fixture Finish: SSR / BKV / CWI / CRY / HAB / UFT / ITA / RUA / FTG / MYG / LOD / PUS / FRO / FUP / KIA / POP / BLS / SPG / MEY / GOH / CHC / COM / ABZ / JAG / OBR / MOS / ROR |
| Fixture Material: Aluminum Die Cast |
| Cut-out Measurements: Dia. 68mm / 2 11/16" |

ELECTRICAL

| |
|---|
| Input Wattage (W): 27.4 |
| Dimming: DALI Dimming / MATTER Dimming |
| Driver Included: Yes |
| Driver Location: Remote |
| Driver Type: Constant Current - Universal |
| Driver Class: Class 2 |
| Input Voltage (V): 120 |
| Constant Current (MA): 700mA |

LED

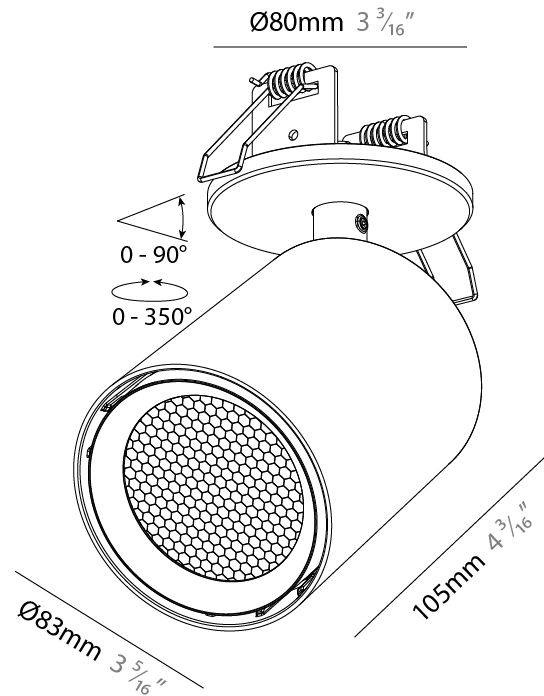
| |
|---|
| Color Temperature (°K): 2700-6500 Tunable White |
| Max. Delivered Lumen (lm): Max 2414 |
| Nominal Lumen (lm): Max 2827 |
| CRI: >90 CRI |
| Efficiency (%): 88.2 |
| Lamp Life (hrs): 50000 |

OPTICAL

| |
|--|
| Beam Angle: 24, 36, 52 |
| Adjustability: Rotational 350°; Tilt 90° |

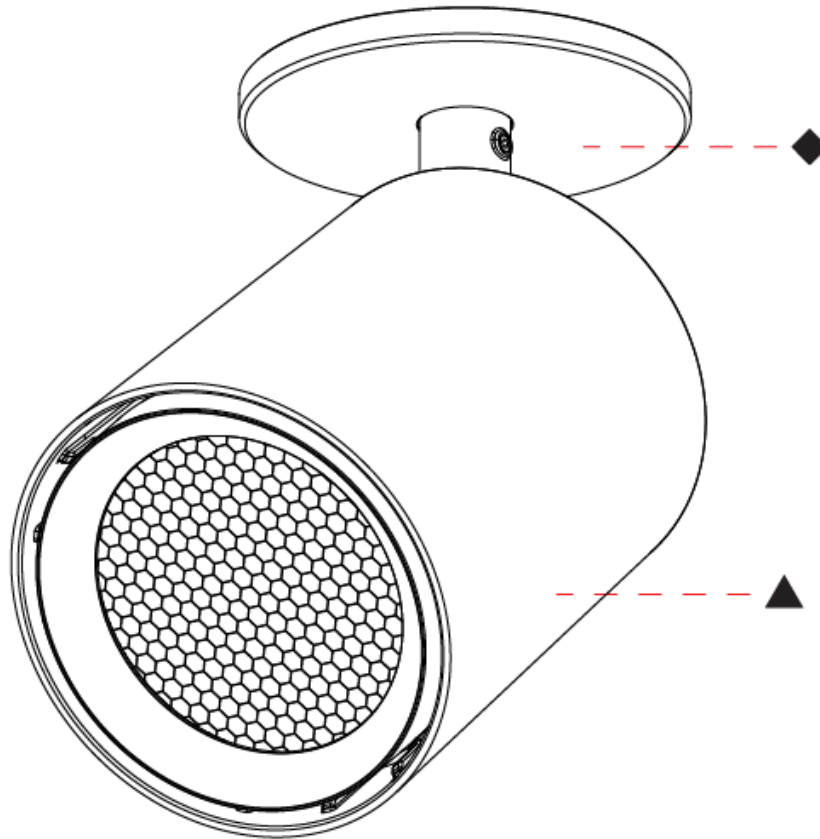
RATINGS AND CERTIFICATIONS

| |
|--|
| Certified By: Certified for North American Standards |
| IP rating: IP20 |
| Glare Rating: ≤ 16 |



A3D446-

| | |
|-----------|-------|
| PROJECT | _____ |
| TYPE | _____ |
| SPECIFIER | _____ |
| QUANTITY | _____ |
| DATE | _____ |



A

CENTRIQ IN SURFACE

A3D448-

base number Color Finishes Finishes Beam Angle Ceiling
 Temperature (Diamond) (Triangle) Options Thickness

- To build a product code in our configurator select the specify button on the base model # product page
- To build a manual product code on this datasheet choose from the options listed below in blue font and add the suffix to the base model #

GENERAL

Series: Centriq
 Subseries: Centriq In
 Partner: Prolicht
 Division: Architectural
 Installation: Surface
 Product Type: Spots
 Mounting Location: Ceiling
 Light Distribution: Adjustable / Downlight

PHYSICAL

Shape: Cylinder
 Diameter (mm): 83
 Diameter (in): 3 1/4
 Height (mm): 160
 Height (in): 6 5/16
 Ceiling Thickness (mm): 10 / 12.5 / 15 / 25
 Ceiling Thickness (in): 3/8 or 1/2 or 9/16 or 1
 Min. Recessing Depth (mm): 50
 Min. Recessing Depth (in): 1 15/16
 Fixture Finish: SSR / BKV / CWI / CRY / HAB / UFT / ITA / RUA / FTG / MYG / LOD / PUS / FRO / FUP / KIA / POP / BLS / SPG / MEY / GOH / CHC / COM / ABZ / JAG / OBR / MOS / ROR
 Fixture Material: Aluminum Die Cast
 Cut-out Measurements: Dia. 86mm / 3 3/8"

ELECTRICAL

Input Wattage (W): 27.3
 Dimming: Non-Dimming / DALI Dimming
 Driver Included: Yes
 Driver Location: Remote
 Driver Type: Constant Current - Universal
 Driver Class: Class 2
 Input Voltage (V): 120
 Constant Current (MA): 700mA
 Upon Request: 0-10V dimming / Phase Dimming

LED

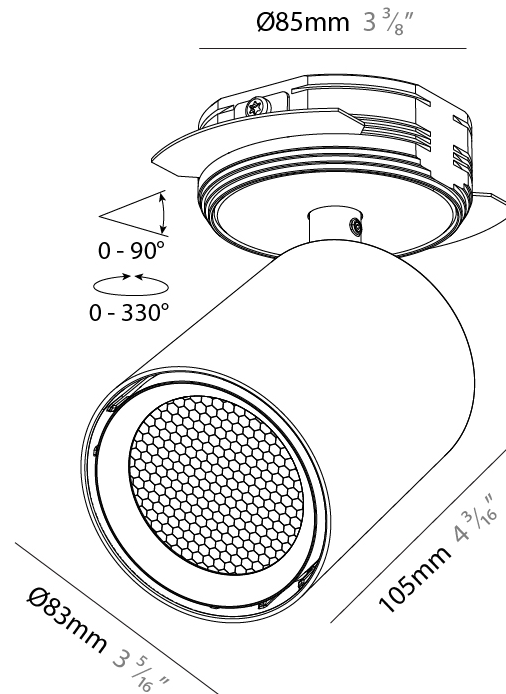
Color Temperature (°K): 2700 / 3000 / 3500 / 4000
 Max. Delivered Lumen (lm): Max 2768
 Nominal Lumen (lm): Max 3170
 CRI: >90 CRI
 Efficiency (%): 101.3
 Lamp Life (hrs): 50000

OPTICAL

Beam Angle: 24, 36, 52
 Adjustability: Rotational 350°; Tilt 90°

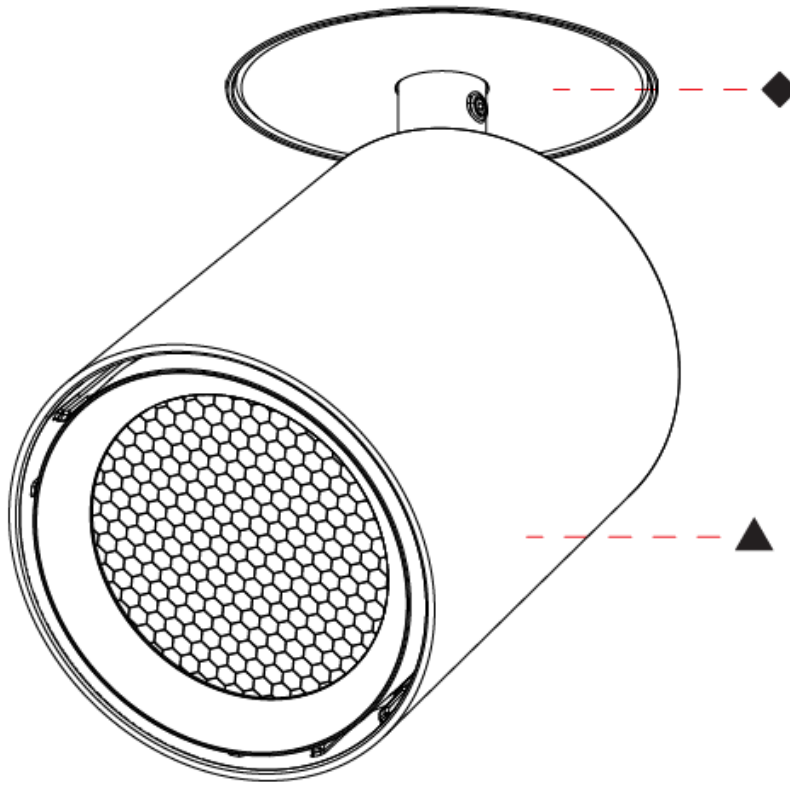
RATINGS AND CERTIFICATIONS

Certified By: Certified for North American Standards
 IP rating: IP20
 Glare Rating: ≤ 16



A3D448-

| | |
|-----------|-------|
| PROJECT | _____ |
| TYPE | _____ |
| SPECIFIER | _____ |
| QUANTITY | _____ |
| DATE | _____ |



A

CENTRIQ IN SURFACE

A3D449-

base number Color Finishes Finishes Ceiling
 Temperature (Diamond) (Triangle) Thickness

- To build a product code in our configurator select the specify button on the base model # product page
- To build a manual product code on this datasheet choose from the options listed below in blue font and add the suffix to the base model #

GENERAL

Series: Centriq
 Subseries: Centriq In
 Partner: Prolicht
 Division: Architectural
 Installation: Surface
 Product Type: Spots
 Mounting Location: Ceiling
 Light Distribution: Adjustable / Downlight

PHYSICAL

Shape: Cylinder
 Diameter (mm): 83
 Diameter (in): 3 1/4
 Height (mm): 160
 Height (in): 6 5/16
 Ceiling Thickness (mm): 10 / 12.5 / 15 / 25
 Ceiling Thickness (in): 3/8 or 1/2 or 9/16 or 1
 Min. Recessing Depth (mm): 50
 Min. Recessing Depth (in): 1 15/16
 Fixture Finish: SSR / BKV / CWI / CRY / HAB / UFT / ITA / RUA / FTG / MYG / LOD / PUS / FRO / FUP / KIA / POP / BLS / SPG / MEY / GOH / CHC / COM / ABZ / JAG / OBR / MOS / ROR
 Fixture Material: Aluminum Die Cast
 Cut-out Measurements: Dia. 86mm / 3 3/8"

ELECTRICAL

Lamp Type: LED
 Input Wattage (W): 26.1
 Dimming: Non-Dimming / DALI Dimming
 Driver Included: Yes
 Driver Location: Remote
 Driver Type: Constant Current - Universal
 Driver Class: Class 2
 Input Voltage (V): 120
 Constant Current (MA): 600mA
 Upon Request: 0-10V dimming / Phase Dimming

LED

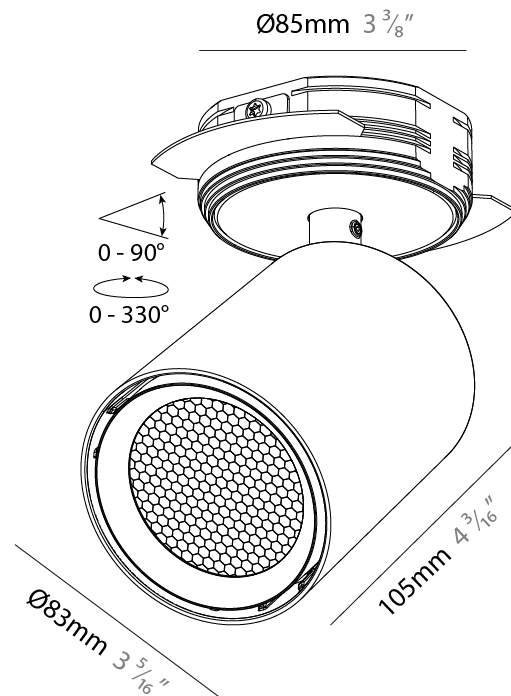
Color Temperature (°K): 2700 / 3000 / 3500 / 4000
 Max. Delivered Lumen (lm): Max 1544
 Nominal Lumen (lm): Max 1907
 CRI: >90 CRI
 Efficiency (%): 75.6
 Lamp Life (hrs): 50000

OPTICAL

Beam Angle: 12
 Adjustability: Rotational 350°; Tilt 90°

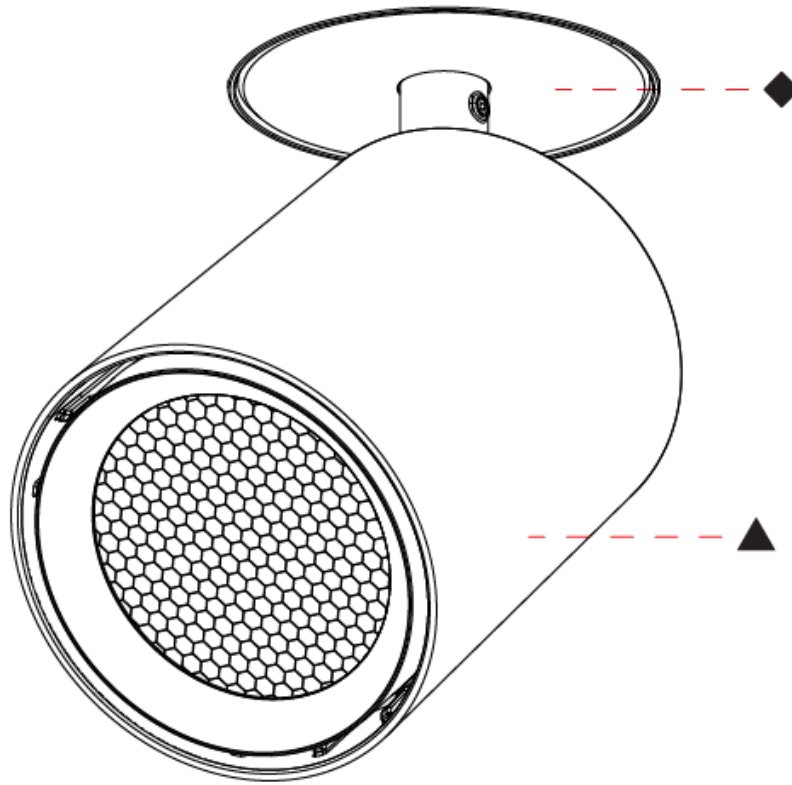
RATINGS AND CERTIFICATIONS

Certified By: Certified for North American Standards
 IP rating: IP20
 Glare Rating: ≤ 16



A3D449-

| | |
|-----------|-------|
| PROJECT | _____ |
| TYPE | _____ |
| SPECIFIER | _____ |
| QUANTITY | _____ |
| DATE | _____ |



A

| | |
|-----------|-------|
| PROJECT | _____ |
| TYPE | _____ |
| SPECIFIER | _____ |
| QUANTITY | _____ |
| DATE | _____ |

CENTRIQ IN SURFACE

A3D450-

| | | | | |
|-------------|-----------------------|------------------------|-----------------------|----------------------|
| base number | Finishes (Diamond) | Finishes (Triangle) | Beam Angle Options | Ceiling Thickness |
|-------------|-----------------------|------------------------|-----------------------|----------------------|

- To build a product code in our configurator select the specify button on the base model # product page
- To build a manual product code on this datasheet choose from the options listed below in blue font and add the suffix to the base model #

GENERAL

| |
|--|
| Series: Centriq |
| Subseries: Centriq In |
| Partner: Prolicht |
| Division: Architectural |
| Installation: Surface |
| Product Type: Spots |
| Mounting Location: Ceiling |
| Light Distribution: Adjustable / Downlight |

PHYSICAL

| |
|---|
| Shape: Cylinder |
| Diameter (mm): 83 |
| Diameter (in): 3 1/4 |
| Height (mm): 160 |
| Height (in): 6 5/16 |
| Ceiling Thickness (mm): 10 / 12.5 / 15 / 25 |
| Ceiling Thickness (in): 3/8 or 1/2 or 9/16 or 1 |
| Min. Recessing Depth (mm): 50 |
| Min. Recessing Depth (in): 1 15/16 |
| Fixture Finish: SSR / BKV / CWI / CRY / HAB / UFT / ITA / RUA / FTG / MYG / LOD / PUS / FRO / FUP / KIA / POP / BLS / SPG / MEY / GOH / CHC / COM / ABZ / JAG / OBR / MOS / ROR |
| Fixture Material: Aluminum Die Cast |
| Cut-out Measurements: Dia. 86mm / 3 3/8" |

ELECTRICAL

| |
|---|
| Input Wattage (W): 27.4 |
| Dimming: DALI Dimming / MATTER Dimming |
| Driver Included: Yes |
| Driver Location: Remote |
| Driver Type: Constant Current - Universal |
| Driver Class: Class 2 |
| Input Voltage (V): 120 |
| Constant Current (MA): 700mA |

LED

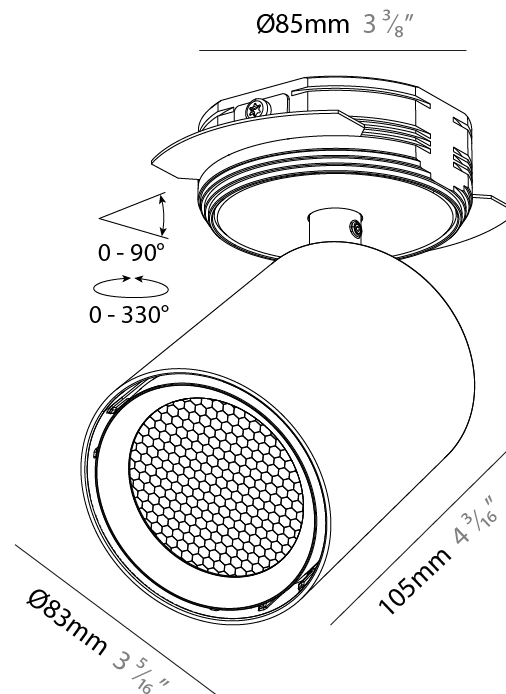
| |
|---|
| Color Temperature (°K): 2700-6500 Tunable White |
| Max. Delivered Lumen (lm): Max 2414 |
| Nominal Lumen (lm): Max 2827 |
| CRI: >90 CRI |
| Efficiency (%): 88.2 |
| Lamp Life (hrs): 50000 |

OPTICAL

| |
|--|
| Beam Angle: 24, 36, 52 |
| Adjustability: Rotational 350°; Tilt 90° |

RATINGS AND CERTIFICATIONS

| |
|--|
| Certified By: Certified for North American Standards |
| IP rating: IP20 |
| Glare Rating: ≤ 16 |



A3D450-

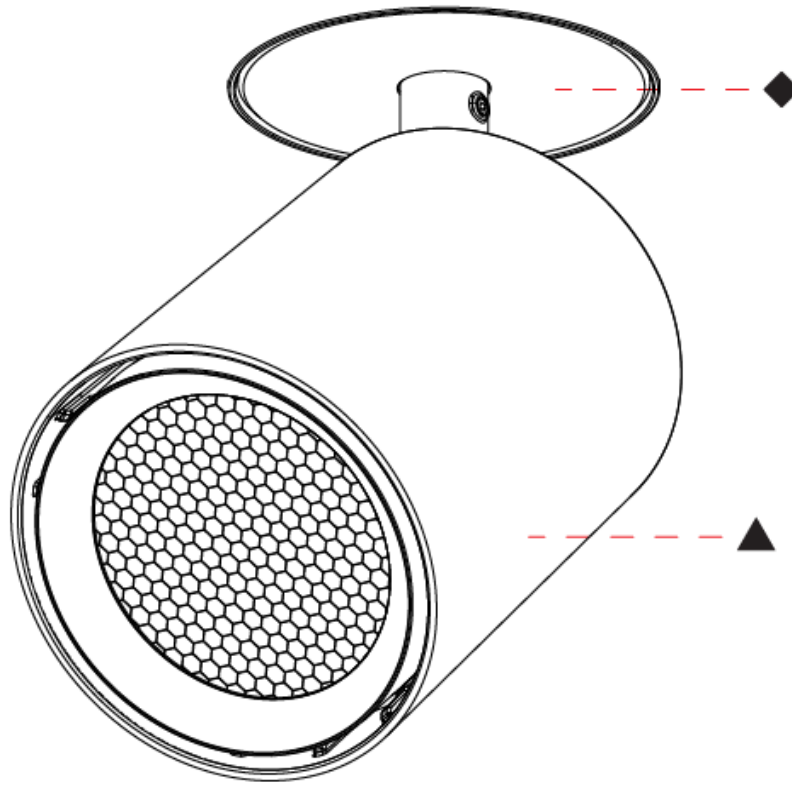
PROJECT

TYPE

SPECIFIER

QUANTITY

DATE



A

| | |
|-----------|-------|
| PROJECT | _____ |
| TYPE | _____ |
| SPECIFIER | _____ |
| QUANTITY | _____ |
| DATE | _____ |

CENTRIQ IN SURFACE

A3D451-

| | | | |
|-------------|-----------------------|------------------------|----------------------|
| base number | Finishes (Diamond) | Finishes (Triangle) | Ceiling Thickness |
|-------------|-----------------------|------------------------|----------------------|

- To build a product code in our configurator select the specify button on the base model # product page
- To build a manual product code on this datasheet choose from the options listed below in blue font and add the suffix to the base model #

GENERAL

| |
|--|
| Series: Centriq |
| Subseries: Centriq In |
| Partner: Prolicht |
| Division: Architectural |
| Installation: Surface |
| Product Type: Spots |
| Mounting Location: Ceiling |
| Light Distribution: Adjustable / Downlight |

PHYSICAL

| |
|---|
| Shape: Cylinder |
| Diameter (mm): 83 |
| Diameter (in): 3 1/4 |
| Height (mm): 160 |
| Height (in): 6 5/16 |
| Ceiling Thickness (mm): 10 / 12.5 / 15 / 25 |
| Ceiling Thickness (in): 3/8 or 1/2 or 9/16 or 1 |
| Min. Recessing Depth (mm): 50 |
| Min. Recessing Depth (in): 1 15/16 |
| Fixture Finish: SSR / BKV / CWI / CRY / HAB / UFT / ITA / RUA / FTG / MYG / LOD / PUS / FRO / FUP / KIA / POP / BLS / SPG / MEY / GOH / CHC / COM / ABZ / JAG / OBR / MOS / ROR |
| Fixture Material: Aluminum Die Cast |
| Cut-out Measurements: Dia. 86mm / 3 3/8" |

ELECTRICAL

| |
|---|
| Lamp Type: LED |
| Input Wattage (W): 8.2 |
| Dimming: DALI Dimming / MATTER Dimming |
| Driver Included: Yes |
| Driver Location: Remote |
| Driver Type: Constant Current - Universal |
| Driver Class: Class 2 |
| Input Voltage (V): 120 |
| Constant Current (MA): 200mA |

LED

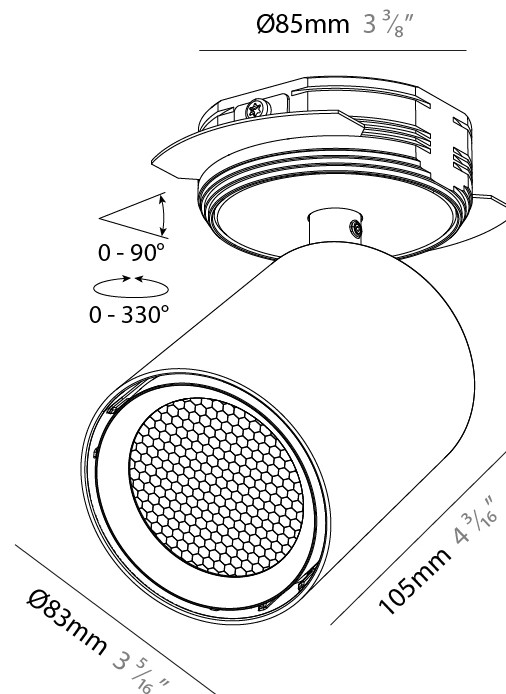
| |
|---|
| Color Temperature (°K): 2700-6500 Tunable White |
| Max. Delivered Lumen (lm): Max 569 |
| Nominal Lumen (lm): Max 664 |
| CRI: >90 CRI |
| Efficiency (%): 99.6 |
| Lamp Life (hrs): 50000 |

OPTICAL

| |
|--|
| Beam Angle: 12 |
| Adjustability: Rotational 350°; Tilt 90° |

RATINGS AND CERTIFICATIONS

| |
|--|
| Certified By: Certified for North American Standards |
| IP rating: IP20 |
| Glare Rating: ≤ 16 |



A3D451-

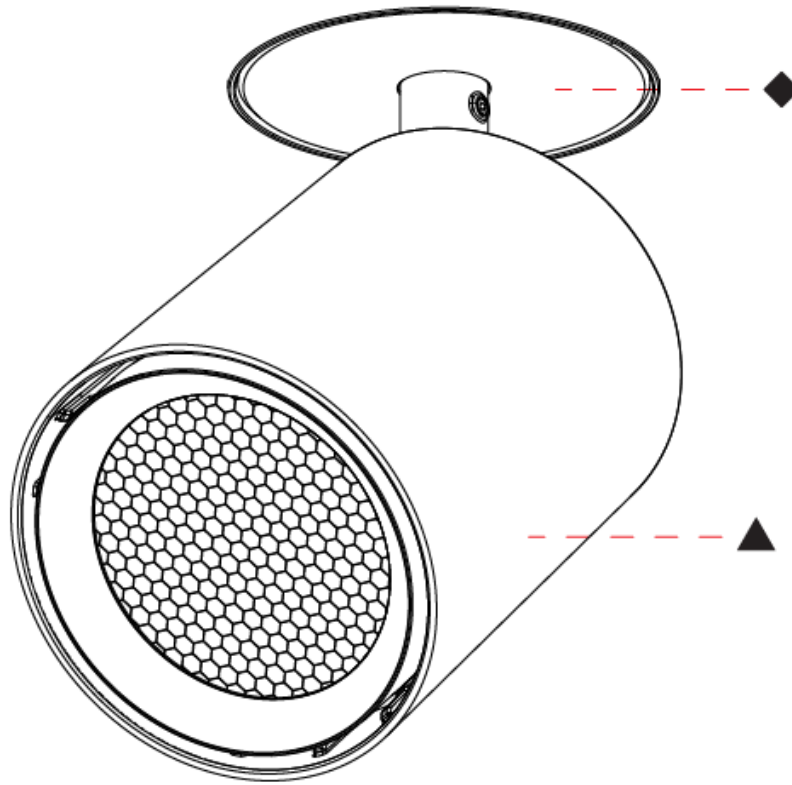
PROJECT

TYPE

SPECIFIER

QUANTITY

DATE



A

| | |
|-----------|-------|
| PROJECT | _____ |
| TYPE | _____ |
| SPECIFIER | _____ |
| QUANTITY | _____ |
| DATE | _____ |

CENTRIQ IN TRACK

A3T217-

| | | | | | |
|-------------|-------------|-------------------|--------------------|---------------------|----------------|
| base number | LED Dimming | Color Temperature | Finishes (Diamond) | Finishes (Triangle) | Finish Options |
|-------------|-------------|-------------------|--------------------|---------------------|----------------|

- To build a product code in our configurator select the specify button on the base model # product page
- To build a manual product code on this datasheet choose from the options listed below in blue font and add the suffix to the base model #

GENERAL

| |
|---|
| Series: Centriq |
| Subseries: Centriq In |
| Partner: Prolicht |
| Division: Architectural |
| Installation: Track |
| Product Type: Track System Line Voltage |
| Mounting Location: Ceiling |
| Light Distribution: Adjustable |

PHYSICAL

| |
|--|
| Aperture Sizes - Downlights: 2" |
| Shape: Cylinder |
| Diameter (mm): 83 |
| Diameter (in): 3 1/4 |
| Length (mm): 250 |
| Length (in): 9 13/16 |
| Height (mm): 166 |
| Height (in): 6 9/16 |
| Weight (kg): 0.6 |
| Fixture Finish: SSR / BKV / CWI / CRY / HAB / UFT / ITA / RUA / FTG / MYG / LOD / PUS / FRO / FUP / KIA / POP / BLS / SPG / MEY / GOH / CHC / COM / ABZ / JAG / OBR / MOS / ROR |
| Holder Finish: WHI / BLK |
| Accent Finish: SSR / BKV / CWI / CRY / HAB / LAG / UFT / ITA / RUA / RUR / MIC / FTG / MYG / TWT / LOD / PUS / FRO / FUP / KIA / POP / BLS / SPG / MEY / GOH / GUM / CHC / COM / ABZ / JAG |
| Fixture Material: Aluminum |

ELECTRICAL

| |
|--|
| Lamp Type: LED (Zhaga Standard) |
| Input Wattage (W): 26 |
| Total Output Wattage (W): 23.7 |
| Dimming: Non-Dimmable / 0-10V Dimming |
| Driver Included: Yes |
| Driver Location: Integrated |
| Driver Type: Constant Current - 120Vac |
| Driver Class: Class 2 |
| Input Voltage (V): 120 |

LED

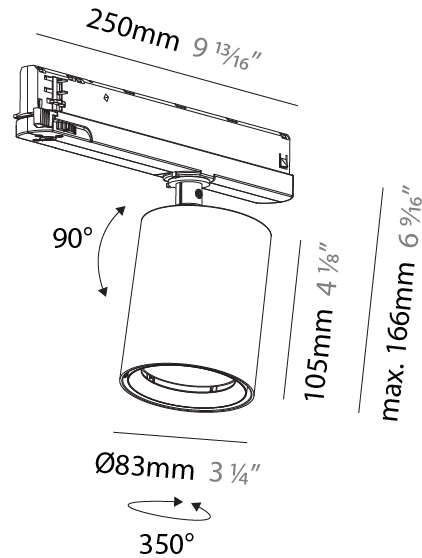
| |
|--|
| Number of LEDs: 1 |
| Color Temperature (°K): 2700 / 3000 / 3500 / 4000 |
| Max. Delivered Lumen (lm): 1975 / 2056 / 2145 / 2245 |
| Nominal Lumen (lm): 2429 / 2529 / 2638 / 2761 |
| CRI: >90 CRI |
| Lamp Life (hrs): 50000 |

OPTICAL

| |
|---|
| Optic°: 12 |
| Adjustability: Rotational 360°; Tilt 90° (±45°) |

RATINGS AND CERTIFICATIONS

| |
|--|
| Certified By: Certified for North American Standards |
| IP rating: IP20 |



CENTRIQ IN TRACK

A3T217-

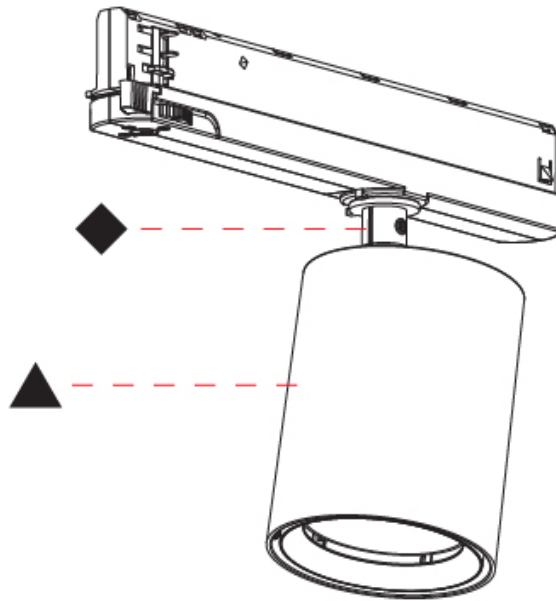
PROJECT _____

TYPE _____

SPECIFIER _____

QUANTITY _____

DATE _____



A

| |
|-----------|
| PROJECT |
| TYPE |
| SPECIFIER |
| QUANTITY |
| DATE |

CENTRIQ IN TRACK

A3T218-

| | | | | | | |
|-------------|-------------|-------------------|--------------------|---------------------|----------------|-------------------|
| base number | LED Dimming | Color Temperature | Finishes (Diamond) | Finishes (Triangle) | Finish Options | Reflector Options |
|-------------|-------------|-------------------|--------------------|---------------------|----------------|-------------------|

- To build a product code in our configurator select the specify button on the base model # product page
- To build a manual product code on this datasheet choose from the options listed below in blue font and add the suffix to the base model #

GENERAL

| |
|---|
| Series: Centriq |
| Subseries: Centriq In |
| Partner: Prolicht |
| Division: Architectural |
| Installation: Track |
| Product Type: Track System Line Voltage |
| Mounting Location: Ceiling |
| Light Distribution: Adjustable |

PHYSICAL

| |
|--|
| Aperture Sizes - Downlights: 2" |
| Shape: Cylinder |
| Diameter (mm): 83 |
| Diameter (in): 3 1/4 |
| Length (mm): 250 |
| Length (in): 9 13/16 |
| Height (mm): 166 |
| Height (in): 6 9/16 |
| Weight (kg): 0.87 |
| Fixture Finish: SSR / BKV / CWI / CRY / HAB / UFT / ITA / RUA / FTG / MYG / LOD / PUS / FRO / FUP / KIA / POP / BLS / SPG / MEY / GOH / CHC / COM / ABZ / JAG / OBR / MOS / ROR |
| Holder Finish: WHI / BLK |
| Accent Finish: SSR / BKV / CWI / CRY / HAB / LAG / UFT / ITA / RUA / RUR / MIC / FTG / MYG / TWT / LOD / PUS / FRO / FUP / KIA / POP / BLS / SPG / MEY / GOH / GUM / CHC / COM / ABZ / JAG |
| Fixture Material: Aluminum |

ELECTRICAL

| |
|--|
| Lamp Type: LED (Zhaga Standard) |
| Input Wattage (W): 36.2 |
| Total Output Wattage (W): 32.7 |
| Dimming: Non-Dimmable / 0-10V Dimming |
| Driver Included: Yes |
| Driver Location: Integrated |
| Driver Type: Constant Current - 120Vac |
| Driver Class: Class 2 |
| Input Voltage (V): 120 |

LED

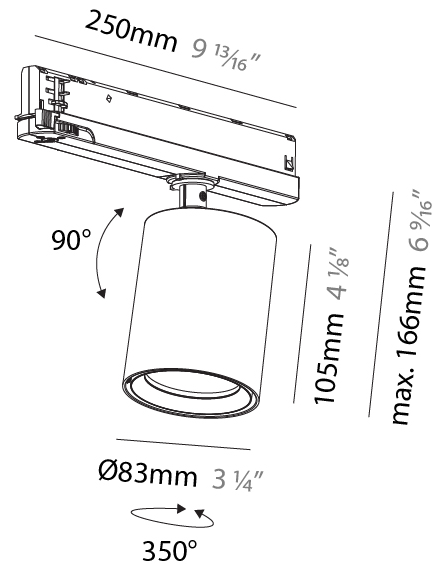
| |
|--|
| Number of LEDs: 1 |
| Color Temperature (°K): 2700 / 3000 / 3500 / 4000 |
| Max. Delivered Lumen (lm): 2916 / 3037 / 3166 / 3320 |
| Nominal Lumen (lm): 3471 / 3615 / 3769 / 3952 |
| CRI: >90 CRI |
| Lamp Life (hrs): 50000 |

OPTICAL

| |
|--|
| Reflector°: 20 / 32 / 54 |
| Adjustability: Rotational 350°; Tilt 90° |

RATINGS AND CERTIFICATIONS

| |
|---|
| Certified By: CSA Certified to UL and CSA Standards |
| IP rating: IP20 |



CENTRIQ IN TRACK

A3T218-

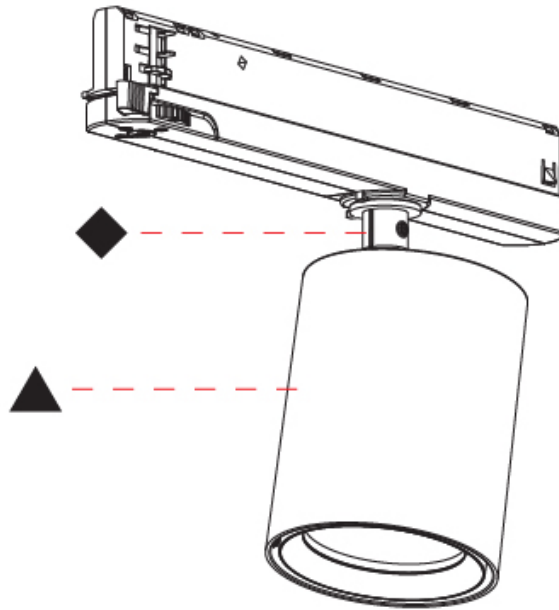
PROJECT _____

TYPE _____

SPECIFIER _____

QUANTITY _____

DATE _____



A

CENTRIQ COLOR FINISH CHART

| |
|-----------|
| PROJECT |
| TYPE |
| SPECIFIER |
| QUANTITY |
| DATE |

Fixture Finish



Digital: Not all screens are calibrated the same, and therefore, colors will appear differently between screens.

Physical: When texture is involved, there will be variations in color, character and tone within a product series and between product families.

Champagne Cream, Copper Mine, Ancient Bronze + Jazz Gold: These finishes have slight fading from specific powder coating production. Each luminaire will slightly vary.



LEGEND

| | | | | | |
|--|---|---|--|---|--|
|  | floor-mounted |  | pivotal |  | special LED (upon request) RGB, RGBW, tunable, gold+, meat+, art+, fashion+ |
|  | wall and ceiling: recessed and surface mounted |  | rotating |  | warm dim / natural dimming LED |
|  | ceiling-mounted and wall-mounted |  | illuminate tilted |  | rechargeable battery powered |
|  | wall-mounted |  | color of suspension cable |  | fixture with natural vivid LED (upon request) |
|  | omni-directional light distribution |  | length of suspension cable |  | color rendering index |
|  | direct light distribution |  | reflector degree selection |  | color temperature |
|  | direct/indirect light distribution |  | super spot |  | lumen (luminous flux) |
|  | indirect light distribution |  | lens |  | efficacy (lumens per watt) |
|  | asymmetric light distribution |  | lens pack |  | Unified Glare Rating (UGR) range from 5-40 |
|  | aura light distribution |  | shine ring |  | marine grade (AISI 316 stainless steel) |
|  | round wall or ceiling cut-out |  | integrated shine ring with diffuser |  | walk on |
|  | square wall or ceiling cut-out |  | free individual colors 01-29 |  | drive on |
|  | the supplied jig specifies the cutout dimensions |  | individual colors: 00 (free of charge), 01-25 (extra charge) |  | Dark Sky Compliance |
|  | minimum distance (meters) lamp - object |  | luminaire part to be colored (F1) |  | Americans with Disabilities Act (less than 4" off the wall located between 27"-84" from floor) |
|  | recessed depth |  | luminaire part to be colored (F2) |  | lamp protected against explosion |
|  | ceiling thickness in mm |  | luminaire part to be colored (F3) |  | blown glass using traditional methods by master glass blower |
|  | ceiling thickness selection |  | luminaire part to be colored (F4) |  | acoustic material |
|  | dimmable DP (phase), DV (0-10V), DD (dali), DS (step-dim) |  | luminaire part to be colored (F5) |  | protection class I, protection insulation |
|  | included or excluded LED driver/transformer/control gear |  | color of 3-circuit adaptor |  | protection class II, protection insulation |
|  | separately switchable |  | indirect diffuser |  | ETL Certified to UL and CSA Standards |
|  | sensor |  | direct diffuser |  | UL Certified to UL and CSA Standards |
|  | remote control |  | ball-proof (upon request) |  | CSA Certified to UL and CSA Standards |
|  | available upon request |  | accessory |  | Certified for North American Standards |

IP RATING

| | |
|---|--|
|  | protected against ingress of solid bodies greater than 12.5mm (finger) |
|  | protected against ingress of solid bodies greater than 2.5mm protected against sprays of water up to 60 degrees from the vertical (rain) |
|  | protected against ingress of solid bodies greater than 1mm (wire) no protection against the ingress of moisture |
|  | protected against ingress of solid bodies greater than 1mm (wire) protected against sprays of water up to 60 degrees from the vertical (rain) |
|  | protected against ingress of solid bodies greater than 1mm (wire) protected against water splashed from all directions |
|  | protected against limited ingress of dust (wet rooms/covered outdoor areas) protected against water splashed from all directions |
|  | protected against ingress of dust protected against jets of water |
|  | protected against ingress of dust protected against powerful jets of water or heavy seas |
|  | protected against ingress of dust protected against immersion of water between 15cm - 1m for 30 minutes |
|  | protected against ingress of dust protected against immersion of water under pressure for long periods |

IK RATING

| | |
|---|---|
|  | protected against 0.14 joules impact (equivalent to 0.25kg mass dropped from 56mm above the surface) |
|  | protected against 0.2 joules impact (equivalent to 0.25kg mass dropped from 80mm above the surface) |
|  | protected against 0.35 joules impact (equivalent to 0.25kg mass dropped from 140mm above the surface) |
|  | protected against 0.5 joules impact (equivalent to 0.25kg mass dropped from 200mm above the surface) |
|  | protected against 0.7 joules impact (equivalent to 0.25kg mass dropped from 280mm above the surface) |
|  | protected against 1 joules impact (equivalent to 0.25kg mass dropped from 400mm above the surface) |
|  | protected against 2 joules impact (equivalent to 0.5kg mass dropped from 400mm above the surface) |
|  | protected against 5 joules impact (equivalent to 1.7kg mass dropped from 300mm above the surface) |
|  | protected against 10 joules impact (equivalent to 5.0kg mass dropped from 200mm above the surface) |
|  | protected against 20 joules impact (equivalent to 5.0kg mass dropped from 400mm above the surface) |